



INSTRUCTION MANUAL
SB-6CB & SB-6CW
SOLAR LED WALL LIGHT



MAJOR TECH (PTY) LTD

South Africa

🌐 www.major-tech.com

✉ sales@major-tech.com

Australia

🌐 www.majortech.com.au

✉ info@majortech.com.au



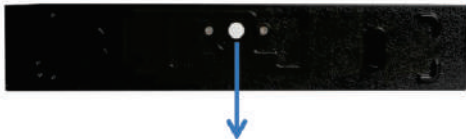
1. FEATURES

- The sleek and modern appearance seamlessly blends into the surrounding environment while providing bright illumination and beautiful wall washing effects.
- Experience super bright lighting with an impressive luminous efficacy of 150lm/W, ensuring the tested final output lumen meets our high standards.
- Our light incorporates an embedded internal light-emitting distribution, allowing light to pass through a frosted lens, resulting in a superior anti-glare effect and providing a natural and comfortable lighting experience.
- Benefit from our scientific polarized light design, offering a beam angle of 140°, which covers a wider and larger lighting area.
- Choose between two optional work modes, making it suitable for various locations and weather conditions.
- The mono solar panel features larger grade-A cells, achieving a high conversion efficiency of 21% for faster and more efficient charging. It is also protected by tempered glass and monocrystalline silicone lamination, ensuring durability and a lifespan of over 20 years.
- The battery boasts a large capacity and comes equipped with over-charge and over-discharge protection. We use brand-new batteries that are safe and durable, with a lifespan of over 4 years.
- Our intelligent PIR sensor detects movement with a 120° angle and a range of 6 meters, ensuring high and stable sensitivity.
- The housing is made of LG brand ABS+PC material, known for its anti-UV properties.
- We utilize top-quality LEDs ensuring long-lasting and reliable performance. These LEDs have passed the LM80 test, guaranteeing consistent light maintenance.
- The light is IP65 waterproof in all directions, providing excellent protection against water ingress.
- Enjoy the versatility of this light, as it is widely used in gardens, entrances, fences, balconies, door gates, paths, walls, building exteriors, and more.

3. PRODUCT PARAMETERS

Function	Range
LED Power	20W
Real Power	6W
Lumen Efficiency	150Lm/W
LED Lumen	900Lm
LED Type	SMD2835
Battery Capacity	3.7V, 3000mAh
Battery Type	Li-Ion Battery
Battery Working Time	
Mode A:	4 nights
Mode B:	2 nights
Beam Angle	140°
IP Grade	IP65
Colour Temperature	6000K
Solar Panel Power	2.8W, DC5.5V
Material: Floodlight	ABS+PC housing Anti-UV
Material: Solar Panel	Tempered Glass+Monocrystalline Silicone
Dimensions	Floodlight / Solar Panel 230x97x42.7mm

4. TWO WORKING MODES



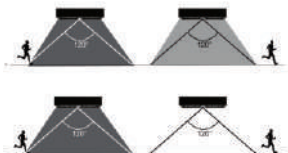
To activate the wall light and choose the desired working mode, simply press the button located at the back of the wall light. Follow these steps:

- Press the button for the first time to turn on the wall light, activating Mode A.
- Press the button a second time, and the wall light will briefly flicker before transitioning to Mode B.
- Press the button for the third time to turn off the wall light, ensuring it is no longer illuminated.

Mode A: Sensor Mode

When the battery power is above 30%, the wall light will automatically illuminate at night and switch to full brightness when motion is detected within a range of up to 6 meters. After 20 seconds of no motion, the wall light will dim to 5% brightness.

When the battery power falls below 30%, the light will still automatically light up at night. It will turn to full brightness when motion is detected within a range of up to 6 meters and then turn off after 20 seconds of no motion.



Mode B: Continuous lighting mode

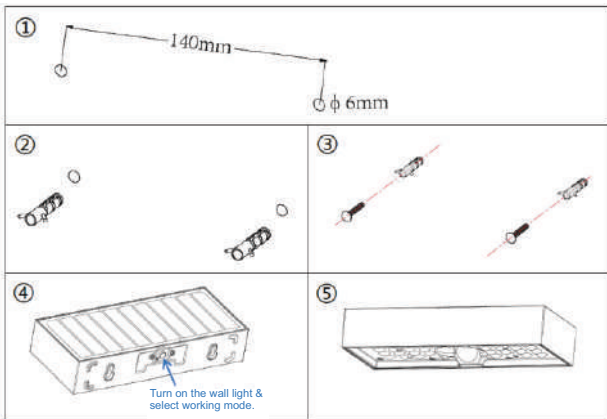
In Mode B, the wall light will automatically illuminate at night and maintain a steady brightness of 50%. After 5 hours or when the battery power drops below 30%, the wall light will switch to an energy-saving mode. In this mode, the wall light will automatically turn to full brightness when motion is detected within a range of up to 6 meters. After 20 seconds of no motion, the wall light will turn off.



Package Content

1x Wall Light	2x Screws	1x Instruction Manual

5. INSTALLATION



For optimal results, it is advised to mount the wall light at a height below 4 meters. Follow these steps for installation:

1. Refer to the User Manual to determine the hole positions and mark them accordingly. Proceed to drill two holes with a diameter of 6mm and a depth of 50mm. Maintain a spacing of 140mm between the holes.
2. Insert the expansion plugs into the drilled holes securely.
3. Insert the screws into the expansion plugs, allowing them to protrude approximately 4mm.
4. Turn on the wall light and select the desired working mode.
5. Hang the light onto the protruding screws to securely mount it onto the wall.

IMPORTANT NOTICE:

1. Ensure that you install this wall light in a location that receives ample sunlight for efficient operation.
2. Please be aware that the lighting duration is influenced by the duration of sunlight and the selected work mode.
3. This light is equipped with an intelligent IC that provides protection against over-charging and over-discharging, ensuring its safety and durability.
4. Even when the wall light is turned off, it will continue to charge through solar energy during the daytime.
5. We advise against disassembling the wall light if you are not a professional.
6. It is important to dispose of the battery properly and avoid placing it in household garbage to prevent the risk of explosion.